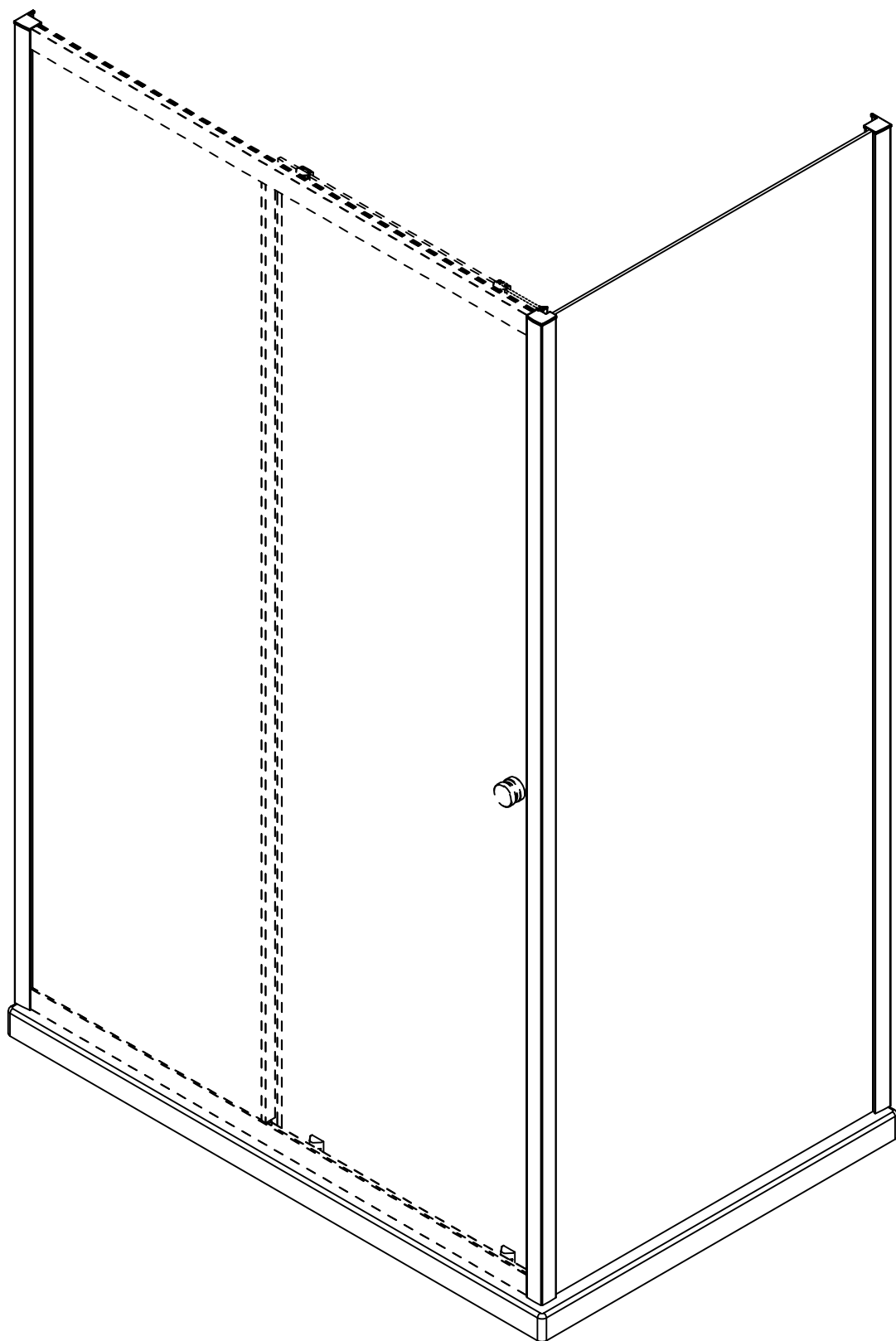
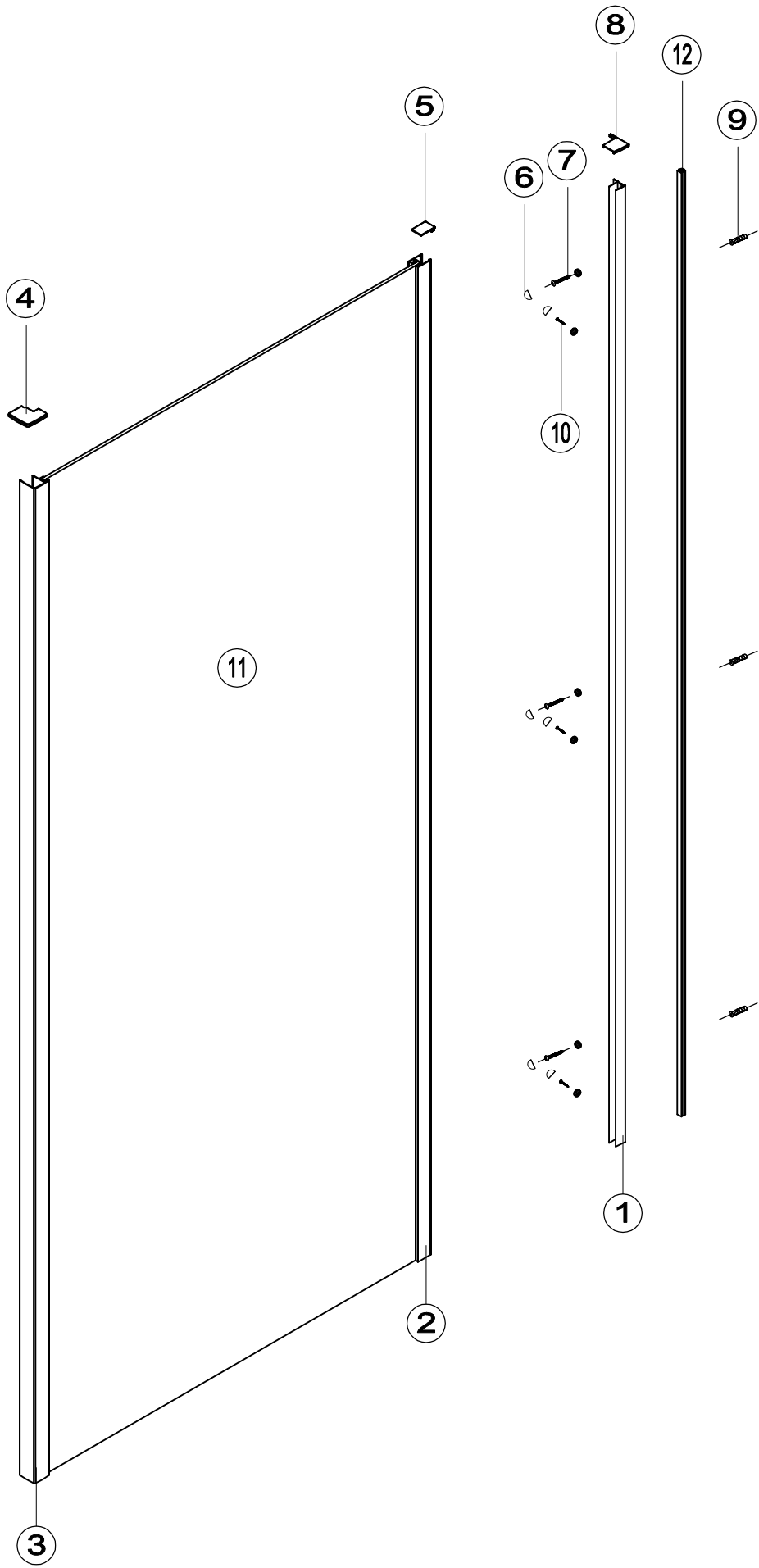
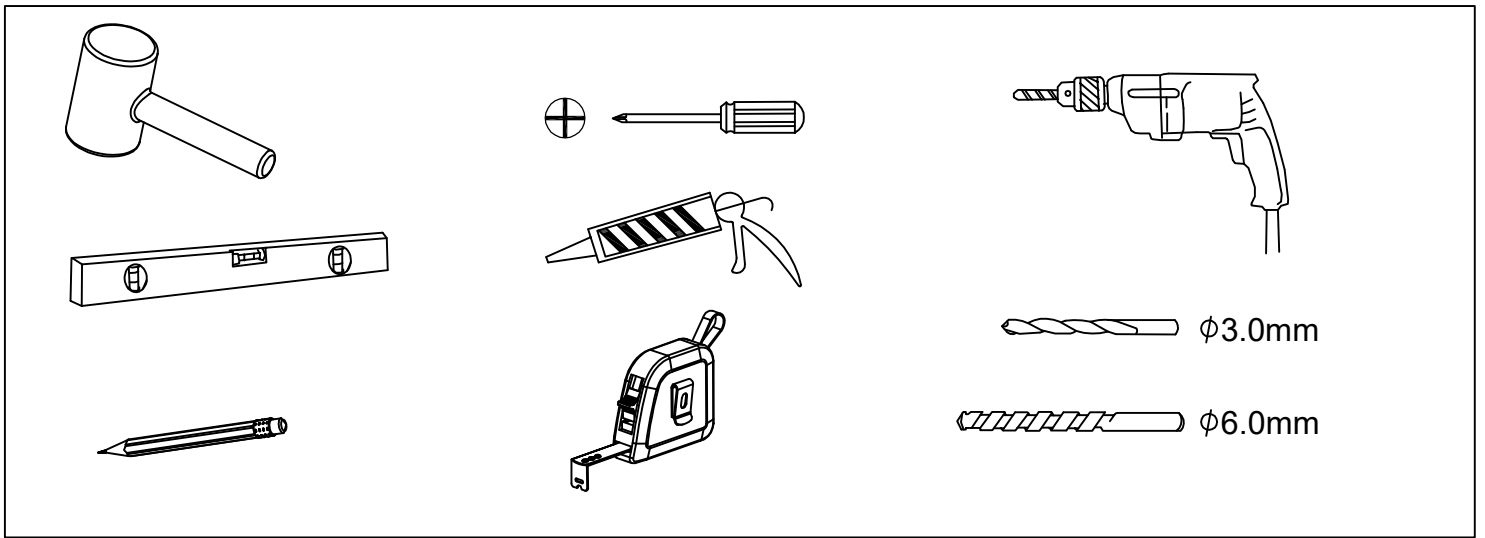


BSL00

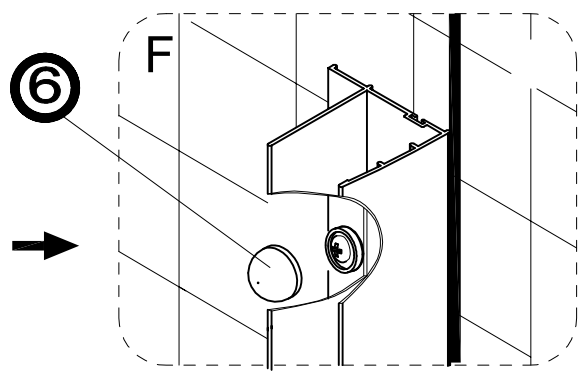
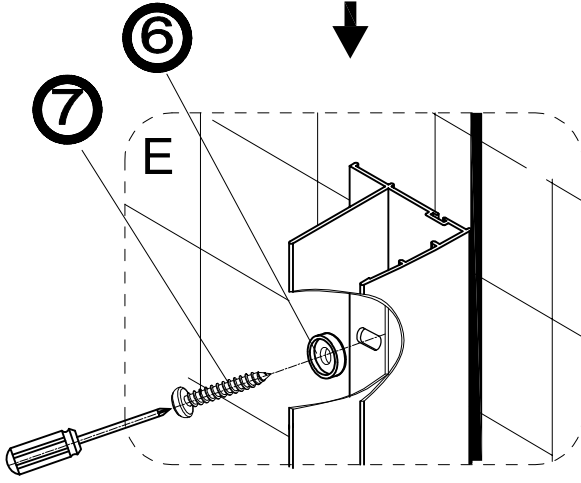
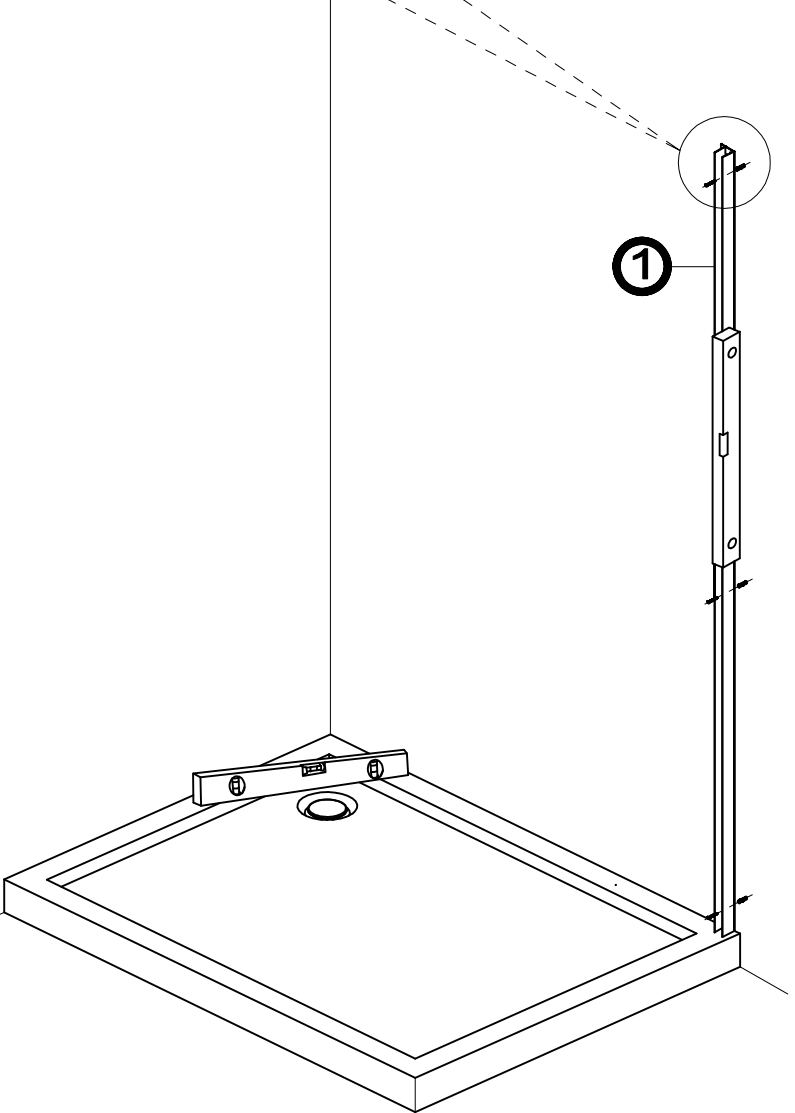
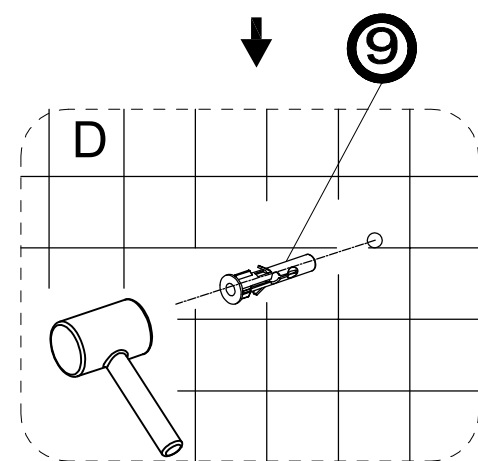
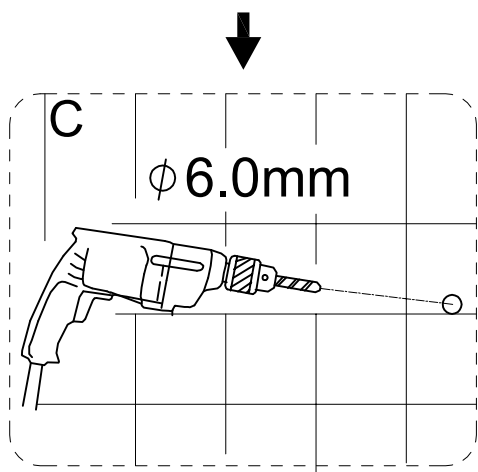
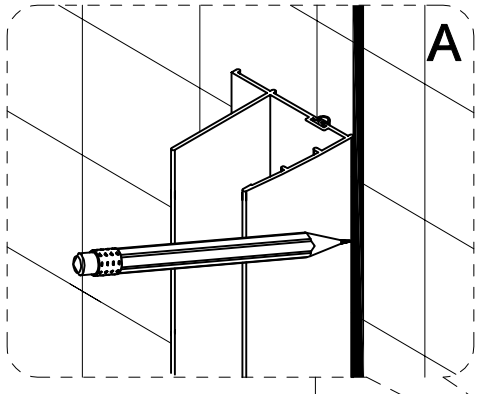
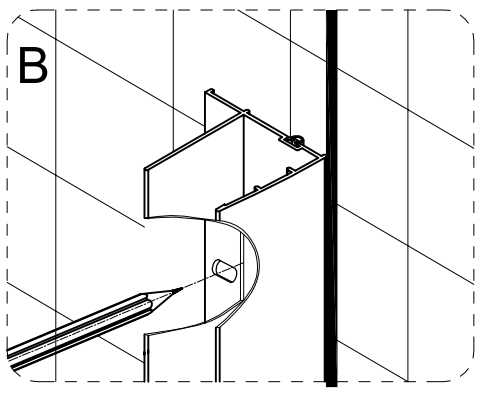
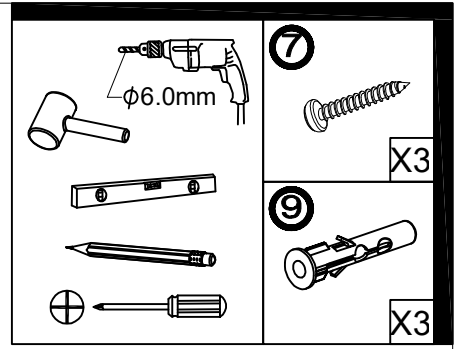


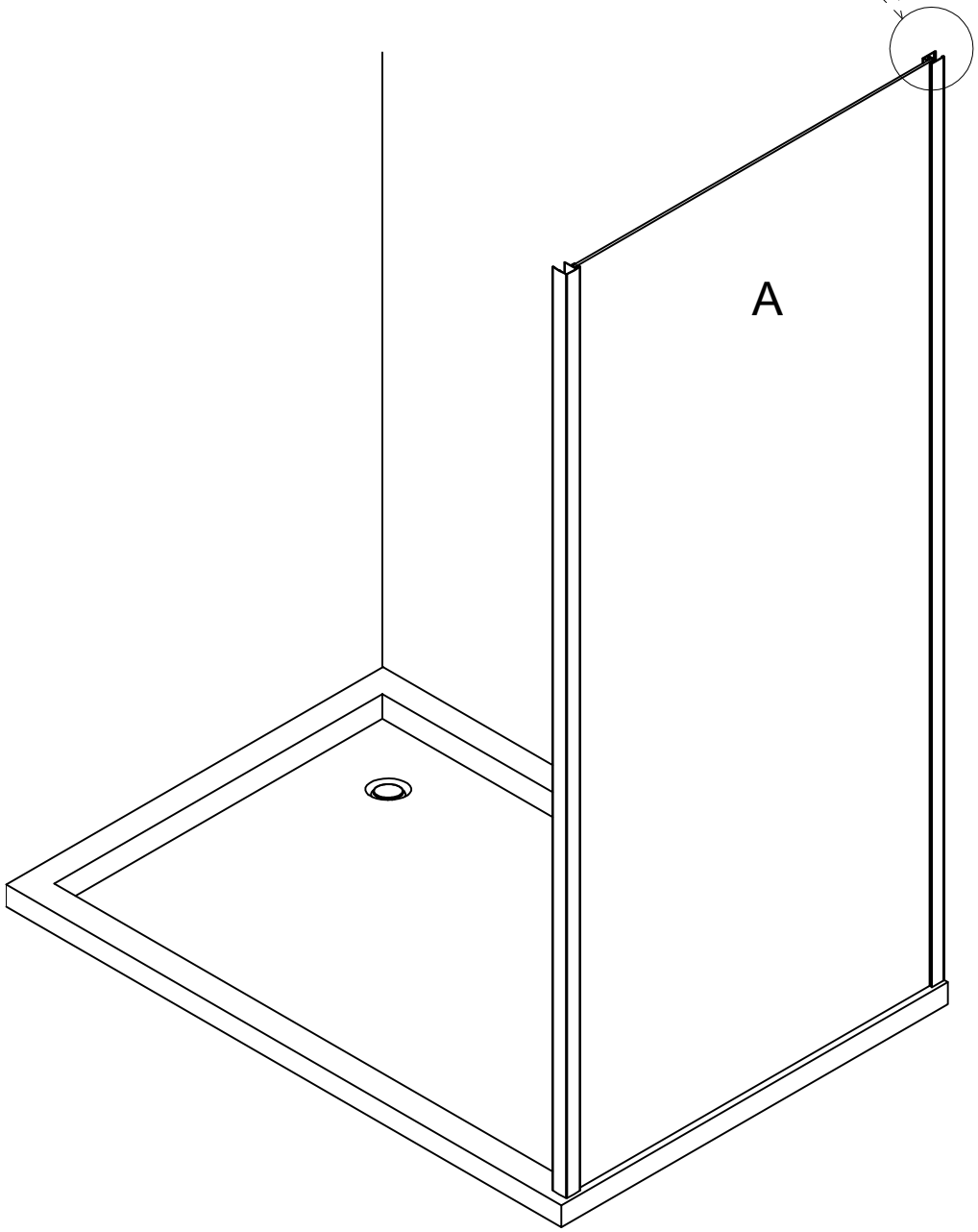
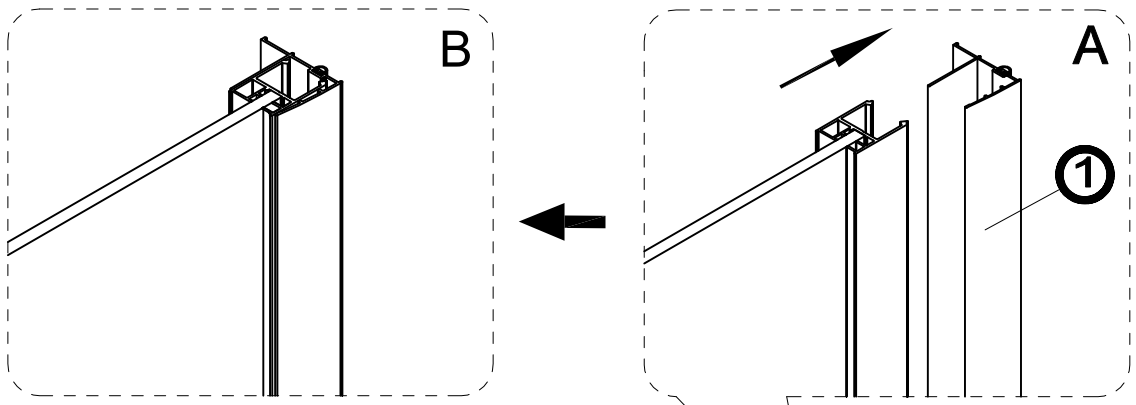





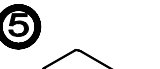
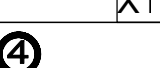
①		AP001	X 1
②		AP002	X 1
③			X 1
④			X 2
⑤			X 1
⑥			X 3
⑦		ST4x40	X 3
⑧			X 2
⑨			X 3
⑩		ST4x10	X 3
⑪		A	X 1
⑫		RS001	X 1

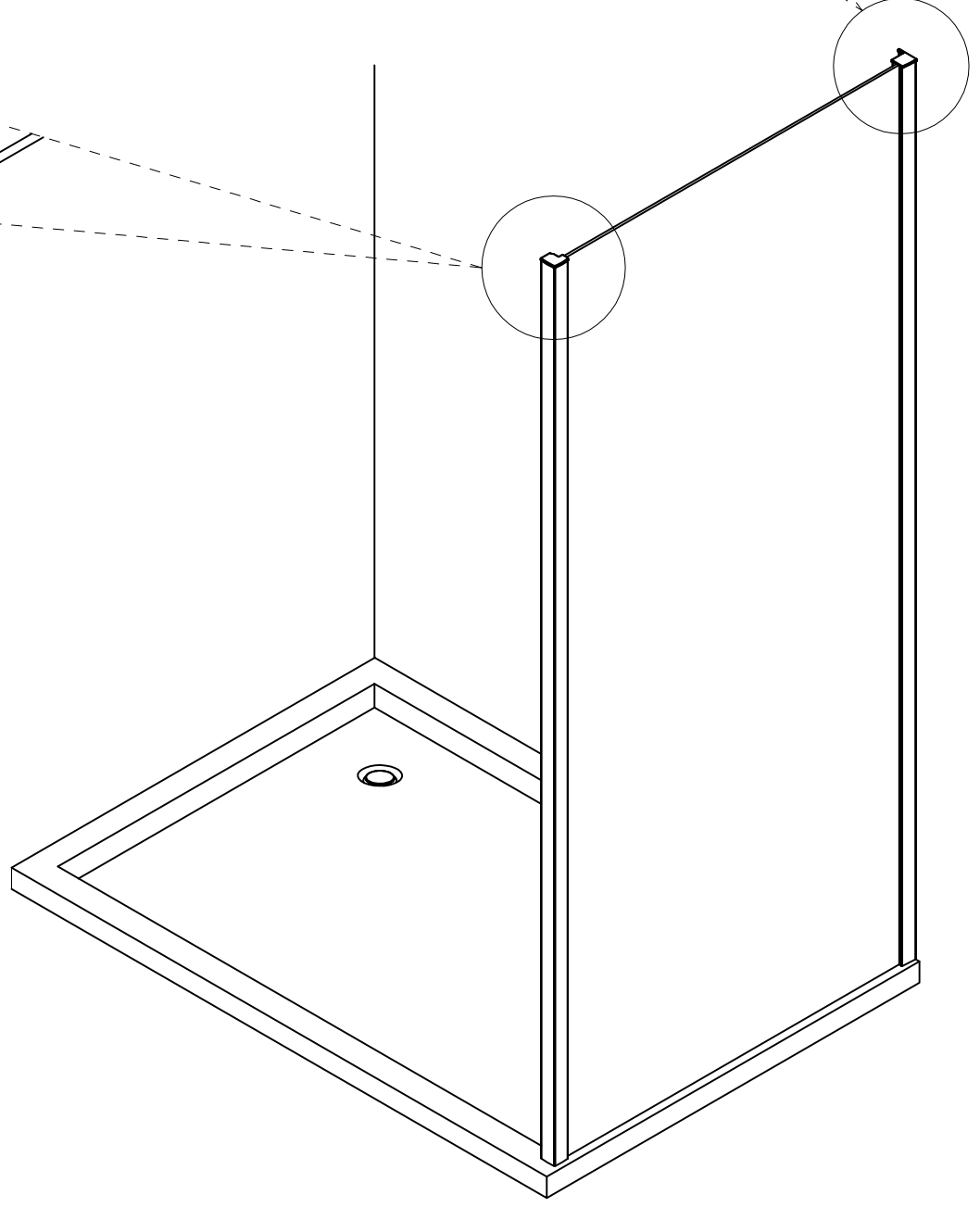
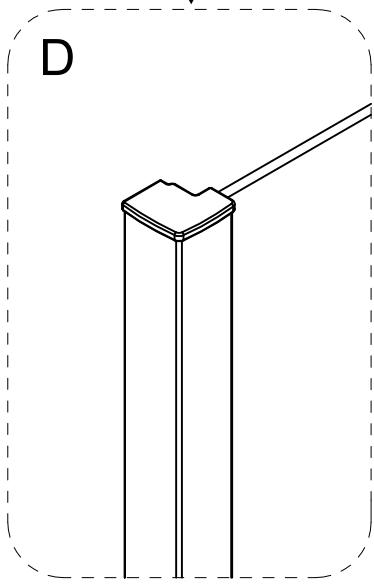
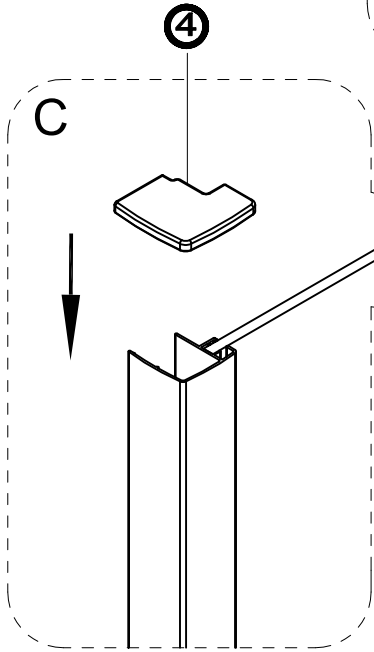
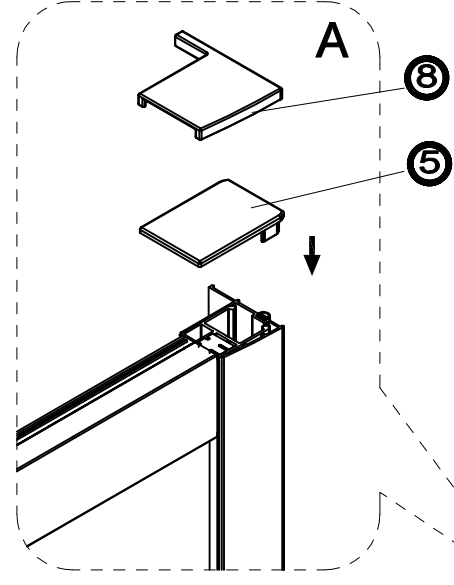
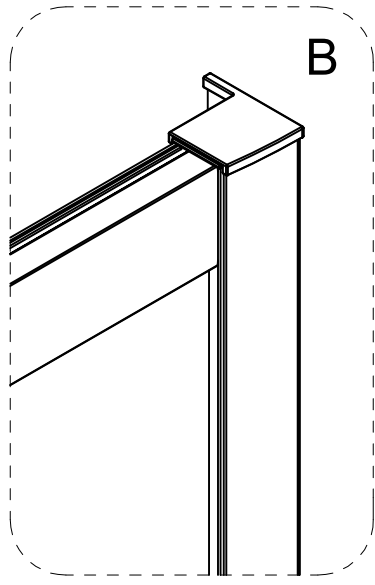
1





3

- ⑧  X1
- ⑤  X1
- ④  X1



4

